

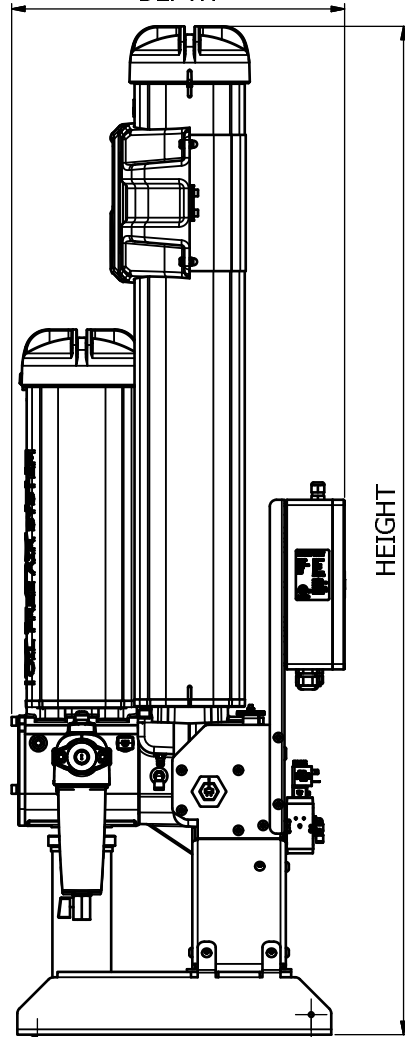
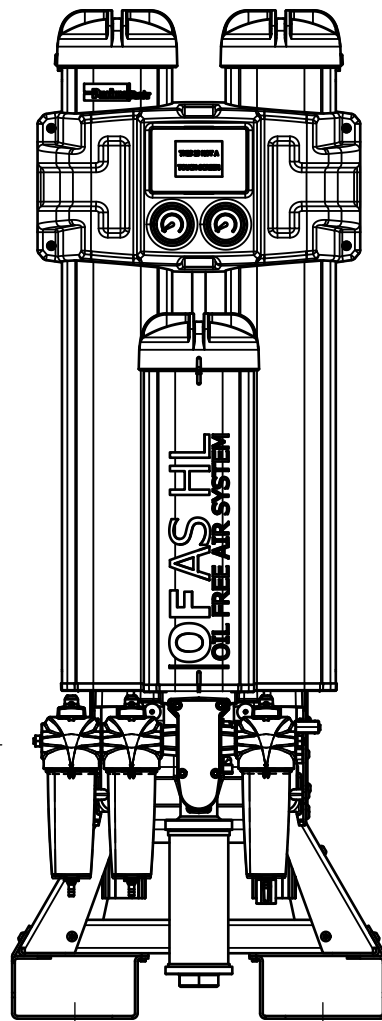
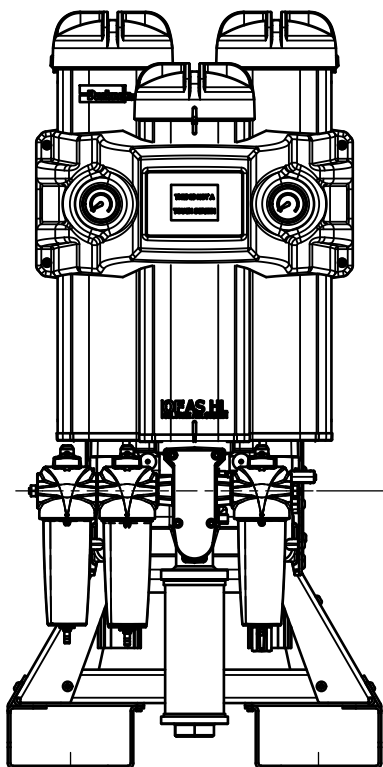
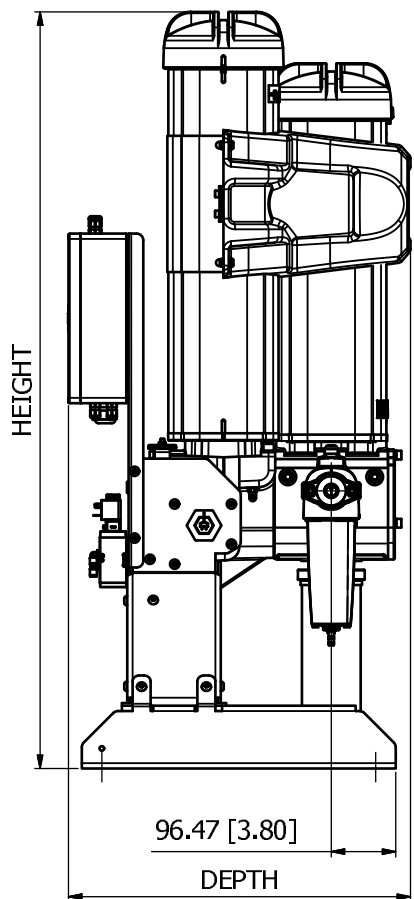
NOTE

 PRIMARY DIMENSIONS IN MM.
 ALTERNATE DIMENSIONS IN BRACKETS IN INCHES.

OFAS HL 050 & HL 055

OFAS HL 060, HL 065 & HL 070

DEPTH



371.29 [14.62]
BOLT DOWN CRS

HOLES TO SUIT
M12 / 1/2" BOLTS

410 [16.14]
BOLT DOWN CENTRES

MODEL	PIPE SIZE		HEIGHT		WIDTH		DEPTH		WEIGHT	
	BSPP	NPT	mm	Inch	mm	Inch	mm	Inch	kg	lbs
OFAS HL 050	1/2"		1133	45	559	22	512	20.2	90	198
OFAS HL 055	1/2"		1313	52	559	22	512	20.2	97	214
OFAS HL 060	1/2"		1510	59	559	22	496	19.5	106	234
OFAS HL 065	1/2"		1660	65	559	22	496	19.5	112	247
OFAS HL 070	3/4"		2020	80	559	22	496	19.5	132	291

ECO No. 0304036	REV B
PLEASE CONSIDER THE ENVIRONMENT PRIOR TO PRINTING THIS DRAWING	
DO NOT SCALE - IF IN DOUBT ASK	
BASED ON BS 8888	DIMENSIONS IN MILLIMETRES
GENERAL TOLERANCES UNLESS OTHERWISE STATED	
MACHINED DIMENSIONS	
.XX ±0.13	UP TO 300 ±0.3
.X ±0.25	OVER 300 TO 600 ±0.5
POSITIONAL TOLERANCE	
PLAIN HOLES	Ø0.13
TAPPED HOLES	Ø0.26
CONCENTRICITY TOLERANCE	0.13 TIR
MACHINED SURFACES INDICATED THUS	
SURFACE TEXTURE TO BS 1134	
VALUES IN MICROMETRES	
ANGLES ±1/2° (EXCEPT CHAMFERS)	
METRIC THREADS TO BS 3643 MED. CLASS	
EXTERNAL 6g	INTERNAL 6H
PIPE THREADS	
PRESSURE TIGHT TO BS 21	
SHEET METALWORK & FABRICATIONS	
SHEET METALWORK DIMENSIONS	
UP TO 500	±0.5
OVER 500 TO 1000	±1.0
OVER 1000	±1.5
FABRICATED PARTS DIMENSIONS	
UP TO 500	±2
OVER 500 TO 1000	±4
OVER 1000	±6
POSITIONAL TOLERANCE FOR PLAIN & TAPPED HOLES	
UP TO 500	Ø1.0
OVER 500	Ø2.0

Parker | **domnick hunter**
 Parker Hannifin Manufacturing Ltd
 domnick hunter Filtration & Separation Division
 Dukesway, Team Valley
 Gateshead, Tyne & Wear
 England, NE11 0PZ
 TEL +44 (0)191 402 9000
 FAX +44 (0)191 482 6296
 www.parker.com/dhfs

THIS DOCUMENT IS COPYRIGHT AND IS THE PROPERTY OF PARKER HANNIFIN LTD. IT MUST NOT BE COPIED IN WHOLE OR PART, USED FOR MANUFACTURE OF, OR OTHERWISE DISCLOSED WITHOUT PRIOR WRITTEN CONSENT OF THE COMPANY

MATERIAL GEN. ARRT.	SCALE 1:8		DRAWN MG	CHECKED EJ	APPROVED GU	TITLE DIMENSIONAL DRG OFAS HL 050-070
			DATE 11/01/2017	DATE 13/01/2017	DATE 13/01/2017	

DRG No. 101-10500	SHEET 1 / 1
-------------------	-------------